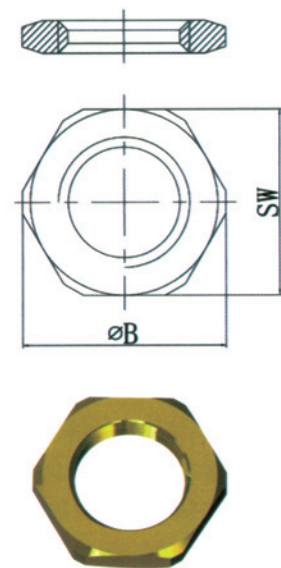


## TJS-公制螺纹M或德制螺纹PG

金属锁紧螺母-公制螺纹M

Locking nut



材质 Material 黄铜、黄铜镀镍或不锈钢 (订货时请指明)  
Brass, brass nickel plated or stainless steel (When ordering, please specify)

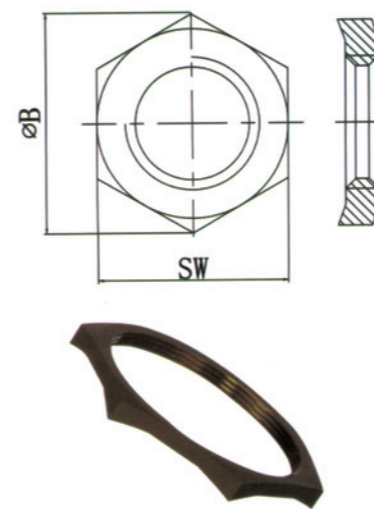
CE RoHS

规格型号 Gland size	对边尺寸 sw	对角 B
TJS-M12 × 1.5	16	17.5
TJS-M16 × 1.5	20	22.0
TJS-M20 × 1.5	24	26.0
TJS-M25 × 1.5	30	33.0
TJS-M32 × 1.5	38	42.0
TJS-M40 × 1.5	45	50.0
TJS-M50 × 1.5	55	62.0
TJS-M63 × 1.5	70	78.0
TJS-M75 × 1.5	85	95.0
TJS-M80 × 1.5	90	100.0
TJS-M90 × 2	100	110.0
TJS-M100 × 2	110	124.0

## TJSZ-公制螺纹M或德制螺纹PG

金属锁防震紧螺母-公制螺纹 M

Locking nut



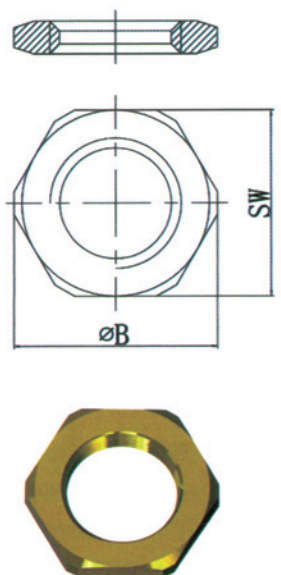
材质 Material 黄铜、黄铜镀镍或不锈钢 (订货时请指明)  
Brass, brass nickel plated or stainless steel (When ordering, please specify)

CE RoHS

规格型号 Gland size	对边尺寸 sw	对角 B
TJS-M12 × 1.5	16	18.5
TJS-M16 × 1.5	20	23.0
TJS-M20 × 1.5	24	28.0
TJS-M25 × 1.5	30	34.6
TJS-M32 × 1.5	38	44.0
TJS-M40 × 1.5	45	52.0
TJS-M50 × 1.5	55	63.5
TJS-M63 × 1.5	70	81.0
TJS-M75 × 1.5	85	98.0
TJS-M80 × 1.5	90	104.0
TJS-M90 × 2	100	115.5
TJS-M100 × 2	110	127.0

金属锁紧螺母-德制PG螺纹

Locking nut



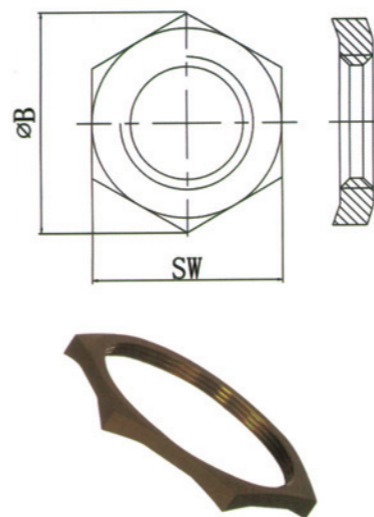
材质 Material 黄铜、黄铜镀镍或不锈钢 (订货时请指明)  
Brass, brass nickel plated or stainless steel (When ordering, please specify)

CE RoHS

规格型号 Gland size	外螺纹 external thread	内螺纹 internal thread
TJS-PG7	16	17.5
TJS-PG9	20	22.0
TJS-PG11	22	24.0
TJS-PG13.5	24	26.0
TJS-PG16	27	30.0
TJS-PG21	32	35.0
TJS-PG29	42	46.0
TJS-PG36	52	57.0
TJS-PG42	60	66.0
TJS-PG48	65	72.0

金属锁防震紧螺母-德制PG螺纹

Locking nut



材质 Material 黄铜、黄铜镀镍或不锈钢 (订货时请指明)  
Brass, brass nickel plated or stainless steel (When ordering, please specify)

CE RoHS

规格型号 Gland size	外螺纹 external thread	内螺纹 internal thread
TJS-PG7	16	18.5
TJS-PG9	20	23.0
TJS-PG11	22	25.5
TJS-PG13.5	24	28.0
TJS-PG16	27	31.0
TJS-PG21	32	37.0
TJS-PG29	42	48.5
TJS-PG36	52	60.0
TJS-PG42	60	69.0
TJS-PG48	65	75.0