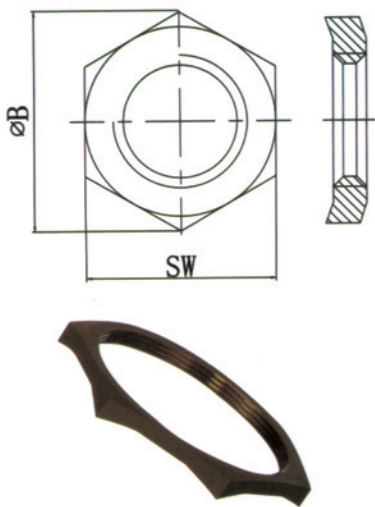


附件

附件

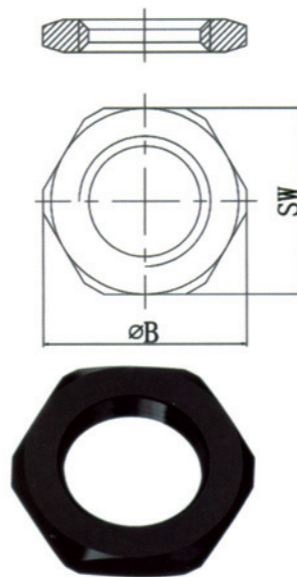
防震金属锁紧螺母-公制螺纹 Locking nut 尼龙锁紧螺母-公制螺纹 Locking nut



材质 Material 黄铜、黄铜镀镍或不锈钢 (订货时请指明)  
Brass, brass nickel plated or stainless steel (When ordering, please specify)

CE RoHS

规格型号 Gland size	SW	B
JSZ-M12 x 1.5	16	18.5
JSZ-M16 x 1.5	20	23.0
JSZ-M20 x 1.5	24	28.0
JSZ-M25 x 1.5	30	34.6
JSZ-M32 x 1.5	38	44.0
JSZ-M40 x 1.5	45	52.0
JSZ-M50 x 1.5	55	63.5
JSZ-M63 x 1.5	70	81.0
JSZ-M75 x 1.5	85	98.0
JSZ-M80 x 1.5	90	104.0
JSZ-M90 x 2	100	115.5
JSZ-M100 x 2	110	127.0

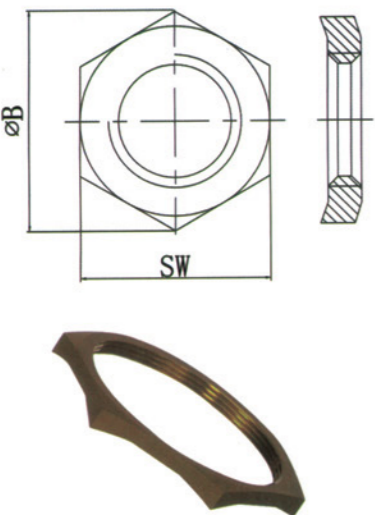


材质 Material 尼龙  
Nylon

CE RoHS

规格型号 Gland size	SW	B
LS-M12 x 1.5	19	21.0
LS-M16 x 1.5	22	24.0
LS-M20 x 1.5	27	30.3
LS-M25 x 1.5	32	35.0
LS-M32 x 1.5	45	50.0
LS-M40 x 1.5	50	57.0
LS-M50 x 1.5	65	72.0
LS-M63 x 1.5	75	83.0

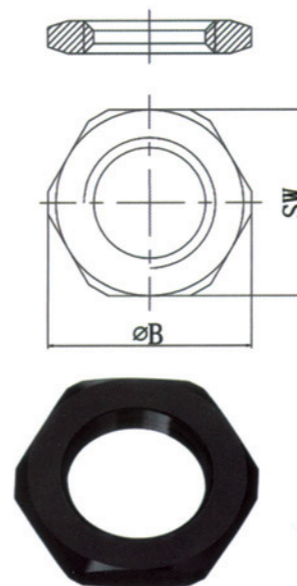
防震金属锁紧螺母-德制PG螺纹 Locking nut 尼龙锁紧螺母-德制PG螺纹 Locking nut



材质 Material 黄铜、黄铜镀镍或不锈钢 (订货时请指明)  
Brass, brass nickel plated or stainless steel (When ordering, please specify)

CE RoHS

规格型号 Gland size	SW	B
JSZ-PG7	16	18.5
JSZ-PG9	20	23.0
JSZ-PG11	22	25.5
JSZ-PG13.5	24	28.0
JSZ-PG16	27	31.0
JSZ-PG21	32	37.0
JSZ-PG29	42	48.5
JSZ-PG36	52	60.0
JSZ-PG42	60	69.0
JSZ-PG48	65	75.0



材质 Material 尼龙  
Nylon

CE RoHS

规格型号 Gland size	SW	B
LS-PG7	19	21.0
LS-PG9	22	24.0
LS-PG11	24	26.0
LS-PG13.5	27	30.0
LS-PG16	30	33.0
LS-PG21	36	40.0
LS-PG29	45	50.0
LS-PG36	60	66.0
LS-PG42	65	72.0
LS-PG48	70	78.0